



# QR1000(I) Passport Reader

The QR1000(I) is a compact, fast and multi-functional document reader based on OCR technology. It is designed to extract data from ICAO standard travel documents and is an ideal solution for identifying Passports, Visa, ID cards, Driver License and other travel documents. From immigration checkpoints to hotel registrations, this advanced passport reader ensures seamless and accurate verification, taking your security measures to new heights.



## Multifunctional

Equipped with advanced OCR technology, the QR1000(I) efficiently reads ICAO 9303 & non-ICAO 9303 documents such as passports, epassports, visas, IDs, eID cards, driver licenses and more.

## Anti-Glare Technology

The QR1000(I) Passport Reader's Anti-Glare Technology intelligently minimizes reflections on passport surfaces, ensuring clear and accurate scanning even in bright or uneven lighting conditions.

## Swift and Accurate Reading

The QR1000(I) Passport Reader boasts lightning fast scanning capabilities, swiftly capturing and decoding passport information. Say goodbye to manual data entry errors – this reader ensures accuracy in record time.

## Easy to integrate SDK

With detailed API user guide and full SDK, developers can easily incorporate the reader's powerful capabilities into applications, ensuring a hassle-free integration experience.



## Specifications

### IMAGE

Resolution	500 DPI
Illumination	Visible, IR (850nm)
Color Depth	24 bits/pixels
Sensor	CMOS, 5.0 Megapixels (2592 x 1944)
Image Format	PNG
Scan Area	127mm x 88mm

### SUPPORTED DOCUMENTS

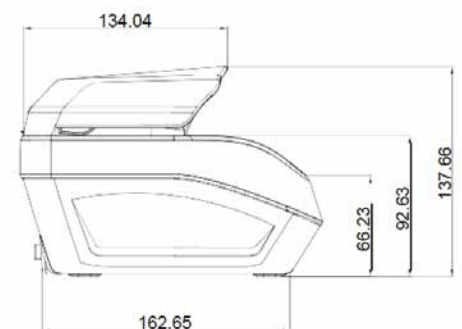
Machine Readable Zone	ICAO 9303 standard compliant documents: ID-1 (Identity Card) ID-2 (Visa) ID-3 (Passport)
Visual Inspection Zone	Customization based on clients' requirements
Barcode	1D: Code 128, Code 39, Interleaved 2 of 5 2D: PDF 417, QR Code, Data Matrix, Aztec Code

### SOFTWARE

Operating Systems	Windows 7,8,10, Vista, XP (32/64 bit WHQL certified) Windows Server 2003 & 2008 (32/64 bit) Linux Ubuntu, CentOS, RedHat, Android
Development kit	Complete OCR SDK including DLLs, OCXs, WebSocket, Samples and Demo program
Programming Languages	C#, C/C++, Java, Delphi, Visual Basic 6.0, VB.NET
Security Check	UV Dull Paper Check; MRZ Comparison; Portrait Comparison; IR B900 Ink check.

### HARDWARE

Dimension	175mm x 190mm x 140mm (Width x Depth x Height)
Weight	1.75kg (Net)   2.00kg (Gross)
Interface	USB 2.0
Status LEDs	Power, Ready, Error and Warning Buzzer Built-in buzzer
Power	Input: AC 100~240V, 50-60Hz, 0.8A Output: DC 12V, 2A
Operating Humidity	20%-95% (Non-Condensing)
Operating Temperature	-10° to 50° (Operating)   -20° to 50° (Storage)
Warranty	1 year



Singapore (HQ)  
All ID Asia Pte Ltd  
+65-6778-0075  
enquiry@allid.com.sg  
www.allid.com.sg

Malaysia  
All ID Asia Sdn Bhd  
+603-8075-1888  
enquiry@allid.com.my  
www.allid.com.my

Indonesia  
PT All ID Indonesia  
+62 21-4517-330  
enquiry@allid.co.id  
www.allid.co.id

Myanmar  
All ID Myanmar  
+959-777499949  
enquiry@allid.com.mm  
www.allid.com.mm

Philippines  
All ID Philippines Inc.  
+632 224 2042  
enquiry@allid.com.ph  
www.allid.com.ph